

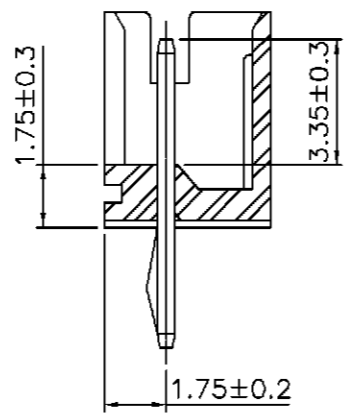
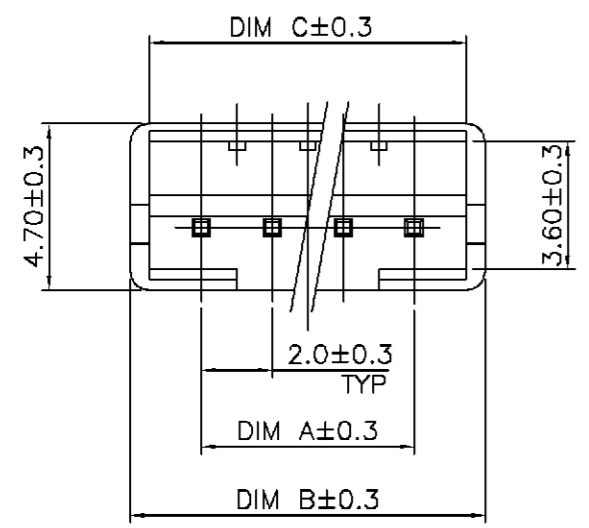
NUMBER
C-440054

METRIC
3RD ANGLE PROJECTION

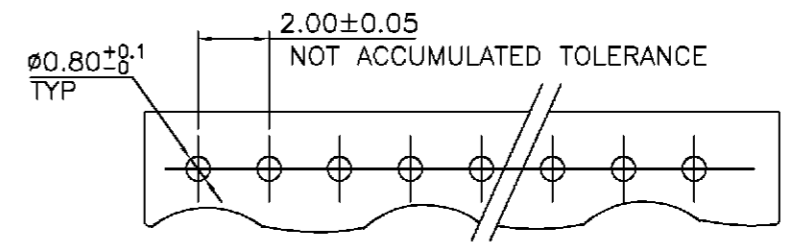
METRIC

THIS INFORMATION IS CONFIDENTIAL AND IS DISCLOSED TO YOU ON CONDITION THAT NO FURTHER DISCLOSURE IS MADE BY YOU TO OTHER THAN AMP PERSONNEL WITHOUT WRITTEN AUTHORIZATION FROM AMP (TAIWAN) LTD. DIMENSIONS IN MILLIMETERS. DO NOT SCALE PRINT.

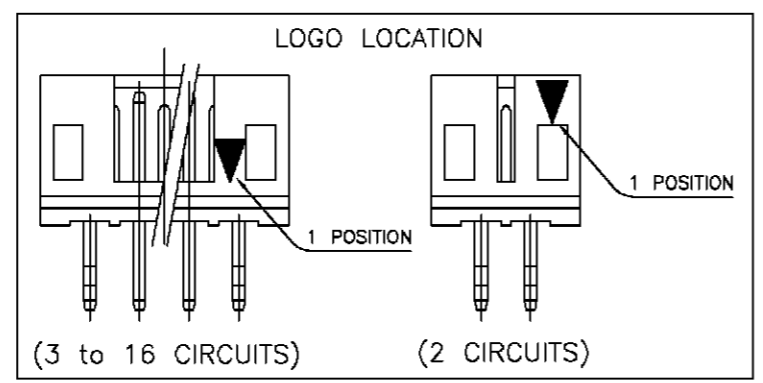
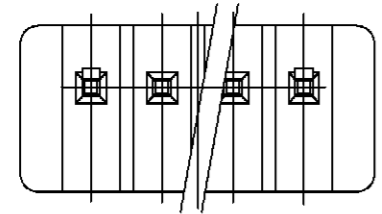
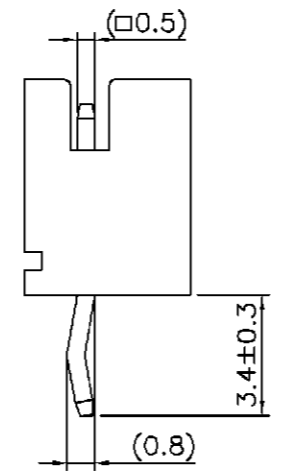
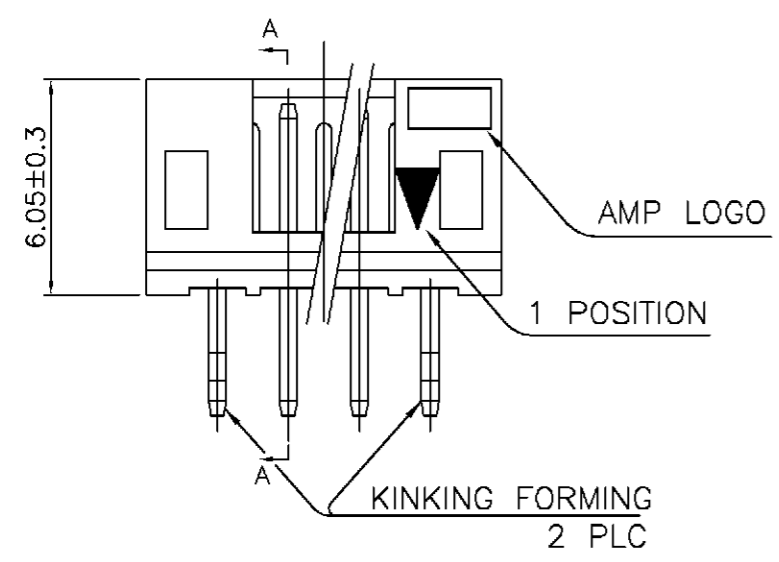
PRINT
DW



SEC. A-A



RECOMMENDED PCB LAYOUT
(PCB THK=1.0~1.6)



NOTE:
MATERIAL:
HOUSING: NYLON 66 UL 94V-0, COLOR: SEE TABLE.
PIN & POST: BRASS, THICKNESS=0.50mm.
FINISH:
PIN & POST: 80u" MIN. TIN PLATED OVER ALL.

| TUBE | COLOR | DIM C | DIM B | DIM A | POS. | PART NUMBER |
|---------------|-------|-------|-------|-------|------------|-------------|
| RED | 10.90 | 12.00 | 8.00 | 5P | 8-440054-9 | |
| | 8.90 | 10.00 | 6.00 | 4P | 8-440054-8 | |
| | 6.90 | 8.00 | 4.00 | 3P | 8-440054-7 | |
| | 4.90 | 6.00 | 2.00 | 2P | 8-440054-6 | |
| | 10.90 | 12.00 | 8.00 | 5P | 6-440054-9 | |
| | 8.90 | 10.00 | 6.00 | 4P | 6-440054-8 | |
| BLACK | 6.90 | 8.00 | 4.00 | 3P | 6-440054-7 | |
| | 4.90 | 6.00 | 2.00 | 2P | 6-440054-6 | |
| | 10.90 | 12.00 | 8.00 | 5P | 4-440054-9 | |
| YELLOW | 8.90 | 10.00 | 6.00 | 4P | 4-440054-8 | |
| | 6.90 | 8.00 | 4.00 | 3P | 4-440054-7 | |
| | 4.90 | 6.00 | 2.00 | 2P | 4-440054-6 | |
| BLUE | 10.90 | 12.00 | 8.00 | 5P | 2-440054-9 | |
| | 8.90 | 10.00 | 6.00 | 4P | 2-440054-8 | |
| | 6.90 | 8.00 | 4.00 | 3P | 2-440054-7 | |
| NATURAL WHITE | 4.90 | 6.00 | 2.00 | 2P | 2-440054-6 | |
| | 32.90 | 34.00 | 30.00 | 16P | 5-440054-6 | |
| | 30.90 | 32.00 | 28.00 | 15P | 5-440054-5 | |
| | 28.90 | 30.00 | 26.00 | 14P | 5-440054-4 | |
| | 26.90 | 28.00 | 24.00 | 13P | 5-440054-3 | |
| | 24.90 | 26.00 | 22.00 | 12P | 5-440054-2 | |
| | 22.90 | 24.00 | 20.00 | 11P | 5-440054-1 | |
| | 20.90 | 22.00 | 18.00 | 10P | 5-440054-0 | |
| | 18.90 | 20.00 | 16.00 | 9P | 3-440054-9 | |
| | 16.90 | 18.00 | 14.00 | 8P | 3-440054-8 | |
| | 14.90 | 16.00 | 12.00 | 7P | 3-440054-7 | |
| | 12.90 | 14.00 | 10.00 | 6P | 3-440054-6 | |
| POLY BAG | 10.90 | 12.00 | 8.00 | 5P | 440054-5 | |
| | 8.90 | 10.00 | 6.00 | 4P | 440054-4 | |
| | 6.90 | 8.00 | 4.00 | 3P | 440054-3 | |
| | 4.90 | 6.00 | 2.00 | 2P | 440054-2 | |
| | 10.90 | 12.00 | 8.00 | 5P | 1-440054-5 | |
| | 8.90 | 10.00 | 6.00 | 4P | 1-440054-4 | |
| NATURAL WHITE | 6.90 | 8.00 | 4.00 | 3P | 1-440054-3 | |
| | 4.90 | 6.00 | 2.00 | 2P | 1-440054-2 | |
| | 32.90 | 34.00 | 30.00 | 16P | 1-440054-6 | |
| | 30.90 | 32.00 | 28.00 | 15P | 1-440054-5 | |
| | 28.90 | 30.00 | 26.00 | 14P | 1-440054-4 | |
| | 26.90 | 28.00 | 24.00 | 13P | 1-440054-3 | |

TOLERANCES UNLESS OTHERWISE SPECIFIED:
0 PLC ±
1 PLC ±
2 PLC ±
3 PLC ±
ANGLES ±

MATERIAL
SEE NOTE

FINISH
SEE NOTE

DWN O. HU 16-JUL-2004
CHK S. HOU 16-JUL-2004
APVD T. KE 16-JUL-2004
PRODUCT SPEC 108-57100
APPLICATION SPEC
WEIGHT

TYCO TYCO HOLDINGS (BERMUDA) VII LTD. TAIWAN BRANCH
Electronics

NAME
2.0 MM PITCH HPI VERTICAL POST HEADERS.

| | | | |
|--------|---------------------|---------------------|--------|
| LOC DW | SIZE A ₃ | DRAWING NO C-440054 | REV D |
| SCALE | SHEET | | 1 OF 3 |

| REV | DESCRIPTION | ECN | DATE |
|-----|------------------|--------------|------------|
| D | REVISED DRAWING | FZ00-0148-04 | 16JUL 2004 |
| C | ADD PART NUMBERS | FZ00-0127-03 | 13JUN 2003 |
| LTR | REVISION RECORD | ECN | DATE |

NUMBER
C-440054

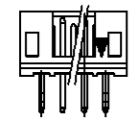
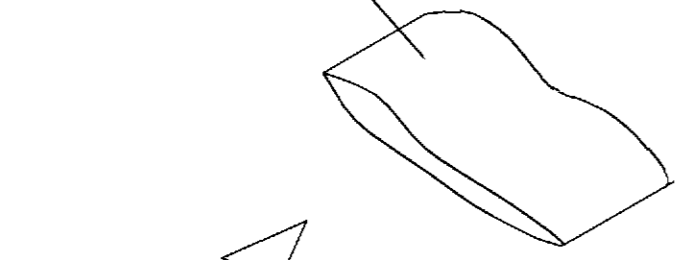


METRIC

THIS INFORMATION IS CONFIDENTIAL AND IS DISCLOSED TO YOU ON CONDITION THAT NO FURTHER DISCLOSURE IS MADE BY YOU TO OTHER THAN AMP PERSONNEL WITHOUT WRITTEN AUTHORIZATION FROM AMP (TAIWAN) LTD. DIMENSIONS IN MILLIMETERS. DO NOT SCALE PRINT.

PRINT
DW

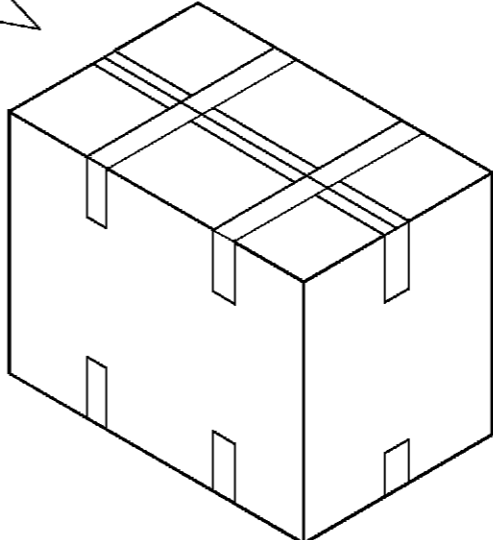
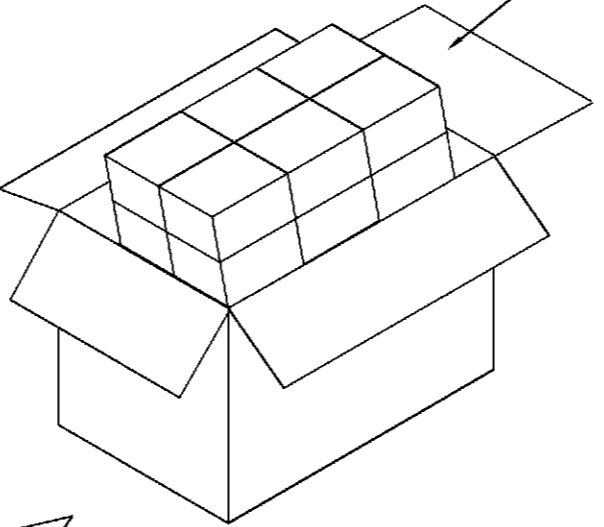
POLY BAG



CARTON

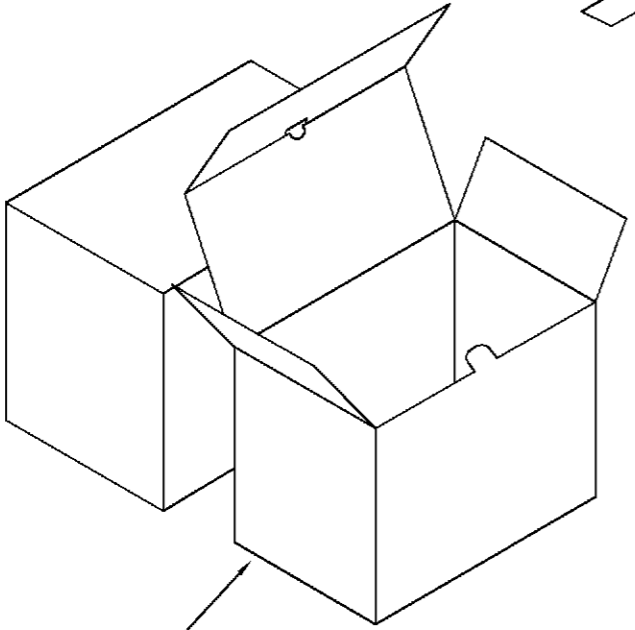
340mm(L)X 470mm(W)X 178mm(H)
(FOR HEADER 2P~5P ONLY)

340mm(L)X 470mm(W)X 365mm(H)
(FOR HEADER 6P~16P ONLY)



INEER BOX

320mm(L)X 220mm(W)X 155mm(H)

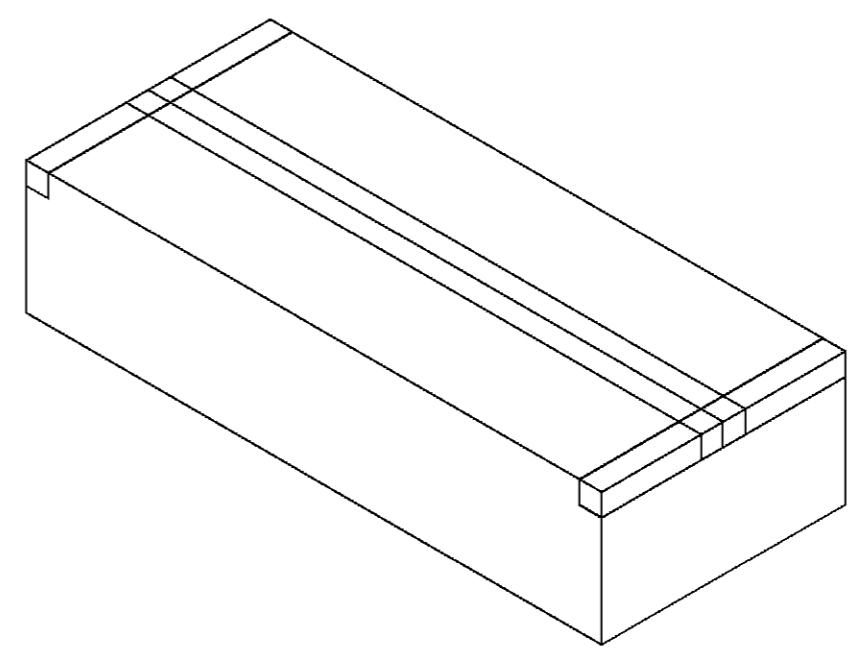
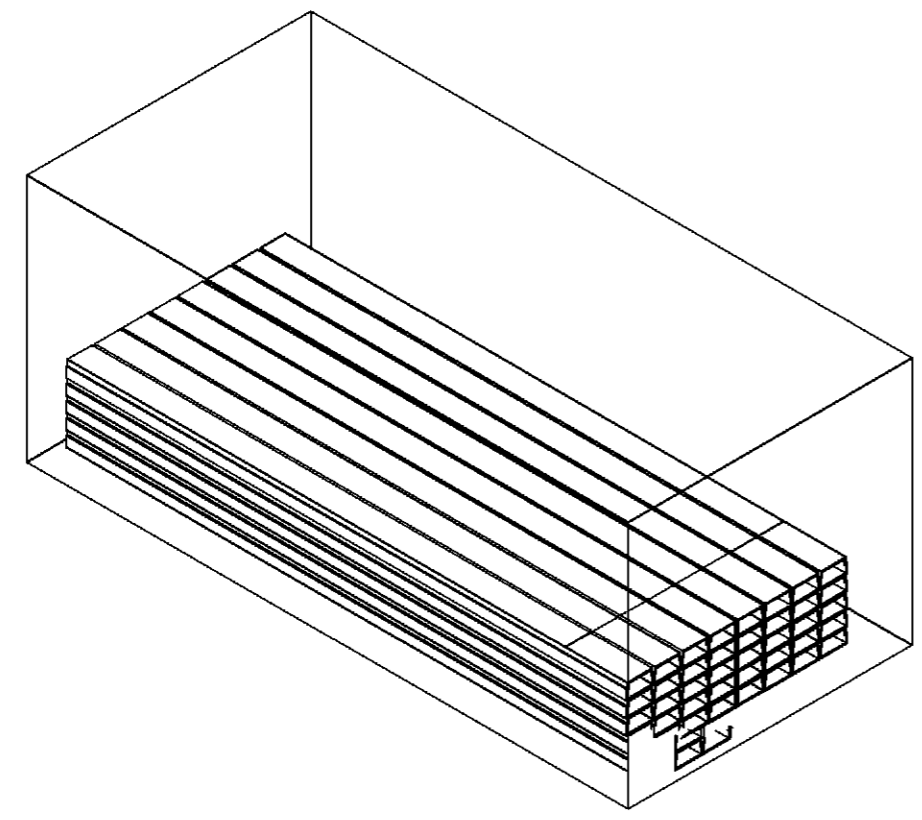
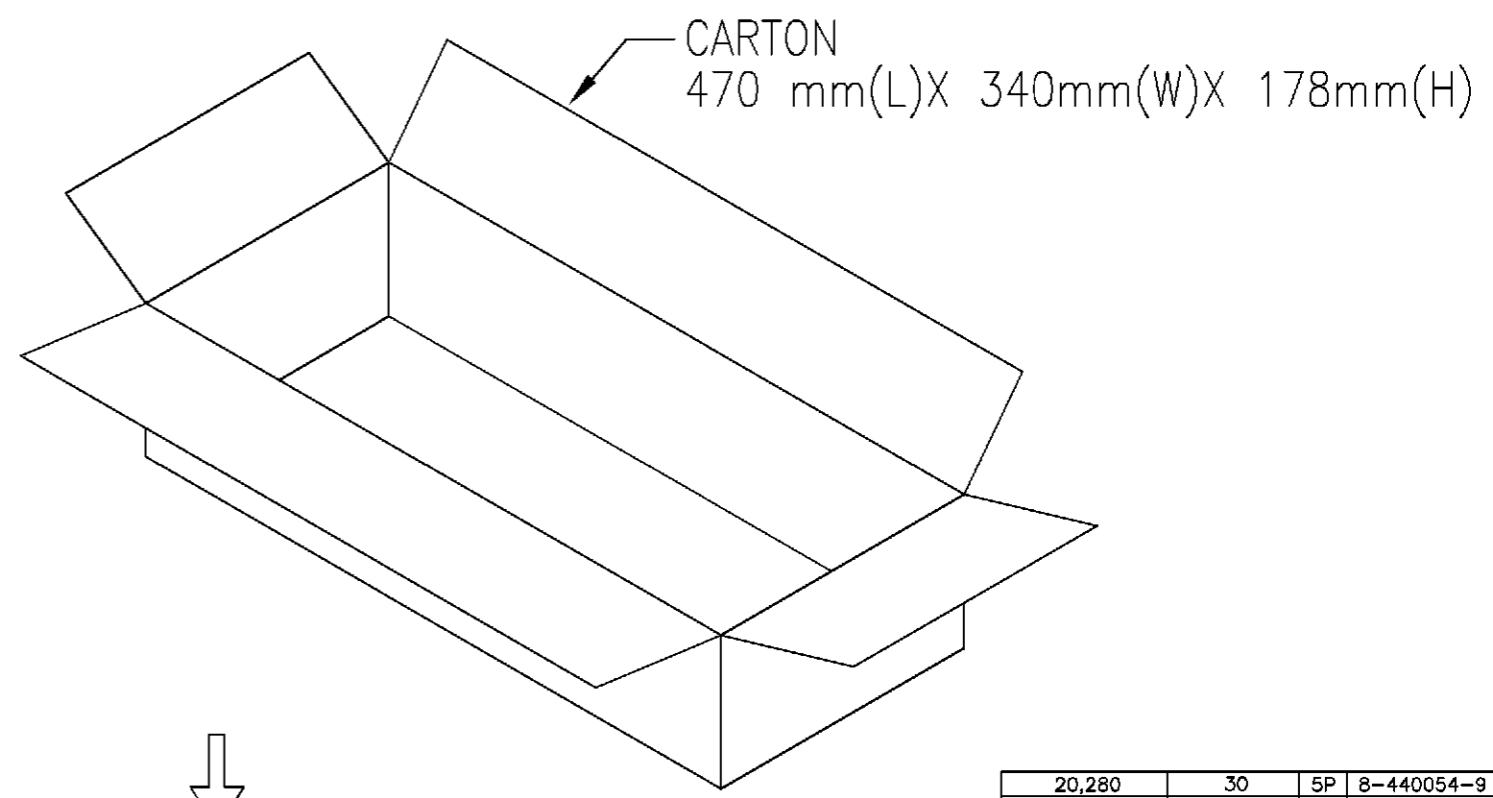
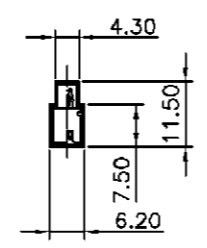
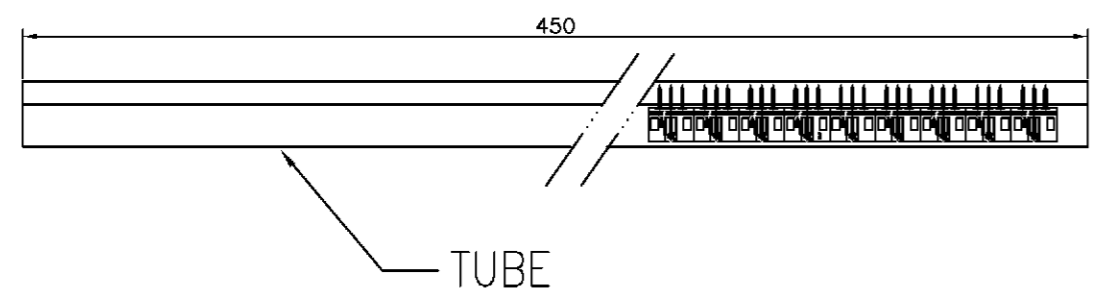


| | | | |
|--------------|-----------|------|-------------|
| 17,600 | 550 | 5P | 8-440054-5 |
| 20,800 | 650 | 4P | 8-440054-4 |
| 27,000 | 750 | 3P | 8-440054-3 |
| 40,000 | 1,000 | 2P | 8-440054-2 |
| 17,600 | 550 | 5P | 6-440054-5 |
| 20,800 | 650 | 4P | 6-440054-4 |
| 27,000 | 750 | 3P | 6-440054-3 |
| 40,000 | 1,000 | 2P | 6-440054-2 |
| 16,000 | 250 | 12P | 7-440054-6 |
| 18,000 | 250 | 11P | 7-440054-5 |
| 19,200 | 300 | 10P | 7-440054-4 |
| 22,400 | 350 | 9P | 7-440054-3 |
| 22,400 | 350 | 8P | 7-440054-2 |
| 25,600 | 400 | 7P | 7-440054-1 |
| 28,800 | 450 | 6P | 7-440054-0 |
| 17,600 | 550 | 5P | 4-440054-5 |
| 20,800 | 650 | 4P | 4-440054-4 |
| 27,000 | 750 | 3P | 4-440054-3 |
| 40,000 | 1,000 | 2P | 4-440054-2 |
| 17,600 | 550 | 5P | 2-440054-5 |
| 20,800 | 650 | 4P | 2-440054-4 |
| 27,000 | 750 | 3P | 2-440054-3 |
| 40,000 | 1,000 | 2P | 2-440054-2 |
| 12,000 | 200 | 16P | 1-440054-6 |
| 12,000 | 200 | 15P | 1-440054-5 |
| 12,800 | 200 | 14P | 1-440054-4 |
| 15,000 | 250 | 13P | 1-440054-3 |
| 16,000 | 250 | 12P | 1-440054-2 |
| 18,000 | 250 | 11P | 1-440054-1 |
| 19,200 | 300 | 10P | 1-440054-0 |
| 22,400 | 350 | 9P | 440054-9 |
| 22,400 | 350 | 8P | 440054-8 |
| 25,600 | 400 | 7P | 440054-7 |
| 28,800 | 450 | 6P | 440054-6 |
| 17,600 | 550 | 5P | 440054-5 |
| 20,800 | 650 | 4P | 440054-4 |
| 27,000 | 750 | 3P | 440054-3 |
| 40,000 | 1,000 | 2P | 440054-2 |
| APQ | PPQ | POS. | PART NUMBER |
| (PCS/CARTON) | (PCS/BAG) | | |

| | | | | |
|--|------------------|-------------|--|----------------|
| TOLERANCES UNLESS OTHERWISE SPECIFIED: 0 PLC ± 1 PLC ± 2 PLC ± 3 PLC ± ANGLES ± | DWN | O. HU | TYCO HOLDINGS (BERMUDA) VII LTD. TAIWAN BRANCH | |
| | | 16-JUL-2004 | | |
| MATERIAL SEE NOTE | CHK | S. HOU | NAME | |
| | | 16-JUL-2004 | 2.0 MM PITCH HPI VERTICAL POST HEADERS. | |
| FINISH SEE NOTE | APVD | T. KE | LOC | SIZE |
| | | 16-JUL-2004 | DW | A ₃ |
| | PRODUCT SPEC | | DRAWING NO | REV |
| | APPLICATION SPEC | | C-440054 | D |
| | WEIGHT | | SCALE | SHEET |
| | | | -- | 2 OF 3 |

| | | | | |
|--------------|-----------------|-----|-----|------|
| SEE SHEET 1. | ECN | DWN | CHK | DATE |
| LTR | REVISION RECORD | | | |

NUMBER C-440054
 METRIC
 3RD ANGLE PROJECTION
 THIS INFORMATION IS CONFIDENTIAL AND IS DISCLOSED TO YOU ON CONDITION THAT NO FURTHER DISCLOSURE IS MADE BY YOU TO OTHER THAN AMP PERSONNEL WITHOUT WRITTEN AUTHORIZATION FROM AMP (TAIWAN) LTD.
 DIMENSIONS IN MILLIMETERS. DO NOT SCALE PRINT.
 PRINT DIST DW



| PCS/CARTON | PCS/TUBE | POS. | PART NUMBER |
|------------|----------|------|-------------|
| 20,280 | 30 | 5P | 8-440054-9 |
| 27,040 | 40 | 4P | 8-440054-8 |
| 33,800 | 50 | 3P | 8-440054-7 |
| 43,940 | 65 | 2P | 8-440054-6 |
| 20,280 | 30 | 5P | 6-440054-9 |
| 27,040 | 40 | 4P | 6-440054-8 |
| 33,800 | 50 | 3P | 6-440054-7 |
| 43,940 | 65 | 2P | 6-440054-6 |
| 20,280 | 30 | 5P | 4-440054-9 |
| 27,040 | 40 | 4P | 4-440054-8 |
| 33,800 | 50 | 3P | 4-440054-7 |
| 43,940 | 65 | 2P | 4-440054-6 |
| 20,280 | 30 | 5P | 2-440054-9 |
| 27,040 | 40 | 4P | 2-440054-8 |
| 33,800 | 50 | 3P | 2-440054-7 |
| 43,940 | 65 | 2P | 2-440054-6 |
| 6,760 | 10 | 16P | 5-440054-6 |
| 8,112 | 12 | 15P | 5-440054-5 |
| 8,112 | 12 | 14P | 5-440054-4 |
| 8,788 | 13 | 13P | 5-440054-3 |
| 10,140 | 15 | 12P | 5-440054-2 |
| 10,816 | 16 | 11P | 5-440054-1 |
| 12,168 | 18 | 10P | 5-440054-0 |
| 13,520 | 20 | 9P | 3-440054-9 |
| 14,872 | 22 | 8P | 3-440054-8 |
| 16,900 | 25 | 7P | 3-440054-7 |
| 18,928 | 28 | 6P | 3-440054-6 |
| 20,280 | 30 | 5P | 3-440054-5 |
| 27,040 | 40 | 4P | 3-440054-4 |
| 33,800 | 50 | 3P | 3-440054-3 |
| 43,940 | 65 | 2P | 3-440054-2 |

| | | | |
|--|------------------------------|--|------------------------|
| TOLERANCES UNLESS OTHERWISE SPECIFIED: 0 PLC ± 1 PLC ± 2 PLC ± 3 PLC ± ANGLES ± | DWN O. HU 16-JUL-2004 | tyco TYCO HOLDINGS (BERMUDA) Electronics VII LTD. TAIWAN BRANCH NAME | |
| MATERIAL SEE NOTE | CHK S. HOU 16-JUL-2004 | 2.0 MM PITCH HPI VERTICAL POST HEADERS. | |
| FINISH SEE NOTE | APVD T. KE 16-JUL-2004 | LOC DW | REV D |
| | PRODUCT SPEC | SIZE A ₃ | DRAWING NO C-440054 |
| | APPLICATION SPEC | SCALE -- | SHEET 3 OF 3 |
| | WEIGHT | | |

| | | | | | |
|-----|-----------------|-----|-----|-----|------|
| LTR | SEE SHEET 1. | ECN | DWN | CHK | DATE |
| | REVISION RECORD | | | | |